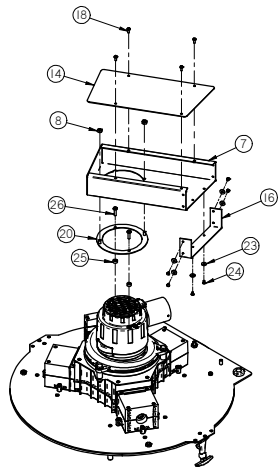
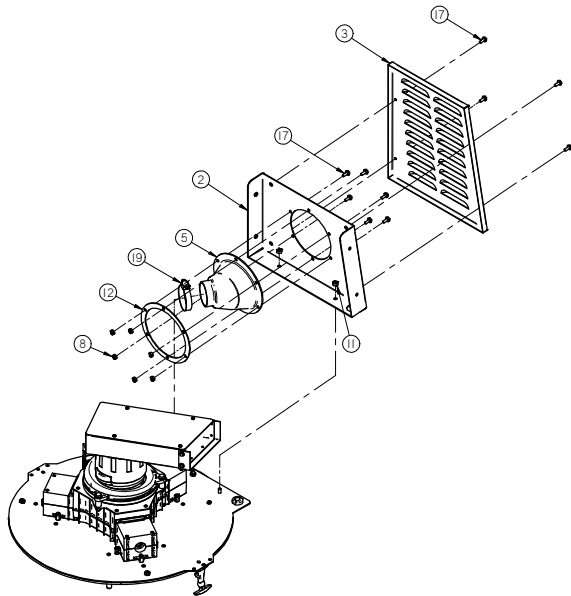


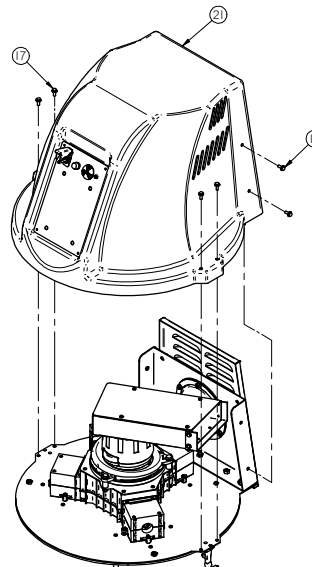
STEP 1



STEP 2



STEP 3



STEP 4

## BILL OF MATERIALS

ITEM	P/N	DESCRIPTION	QTY
1	406083S	BASEPLATE PRE-ASSEMBLY W/ SENSOR	1
2	406044	EXHAUST MOUNT, MOTOR	1
3	406045	GRILL, DISCHARGE AIR	1
4	406072A	MOTOR WIRING ASSEMBLY	1
5	406049	MOTOR EXHAUST, DC	1
6	406178	EXHAUST EXTENSION, PRO 176	1
7	406107	FRESH AIR INLET, MOTOR	1
8	401052	NUT, 10-32 NYLOK	8
9	405050	SCREW, 1/4"-20 X 1.50" CAP HEX	3
10	405690	SPACER, 1/2" X 5/8" NYLON, BLACK	3
11	401066	NUT, 1/4"-20 NYLOK	5
12	406142	RING, EXHAUST MOUNT	1
13	401063	SCREW, 6-19 X 0.50" HIGH LOW	9
14	406113	COVER, DUCT AIR INLET	1
15	406152	COVER, PLENUM MOTOR	1
16	406143B	SEAL, FRESH AIR, RIGHT HOOD	1
17	405112	SCREW, 10-32 X 0.50" HEX FLANGE B0	18
18	401062	SCREW, 6-32 X 0.375" SEMS	4
19	405415	CLAMP, WORM	2
20	406153	ADAPTOR, FRESH AIR	1
21	406064S	HOOD ASSEMBLY, PRO 1000 SERIES W/ SENSOR	1
22	401059	NUT, 6-32 LOCK NYLON	1
23	405252	WASHER, #6 X 5/32" X 7/16", FLAT	6
24	401075	RIVET, 1/8", 0.126" X 0.187" GP RG X 0.380" LG	6
25	405270	SPACER, 3/8" X 3/16" #10 NYLON	2
26	405161	SCREW, 8-32 X 0.75" SEMS PB550	2