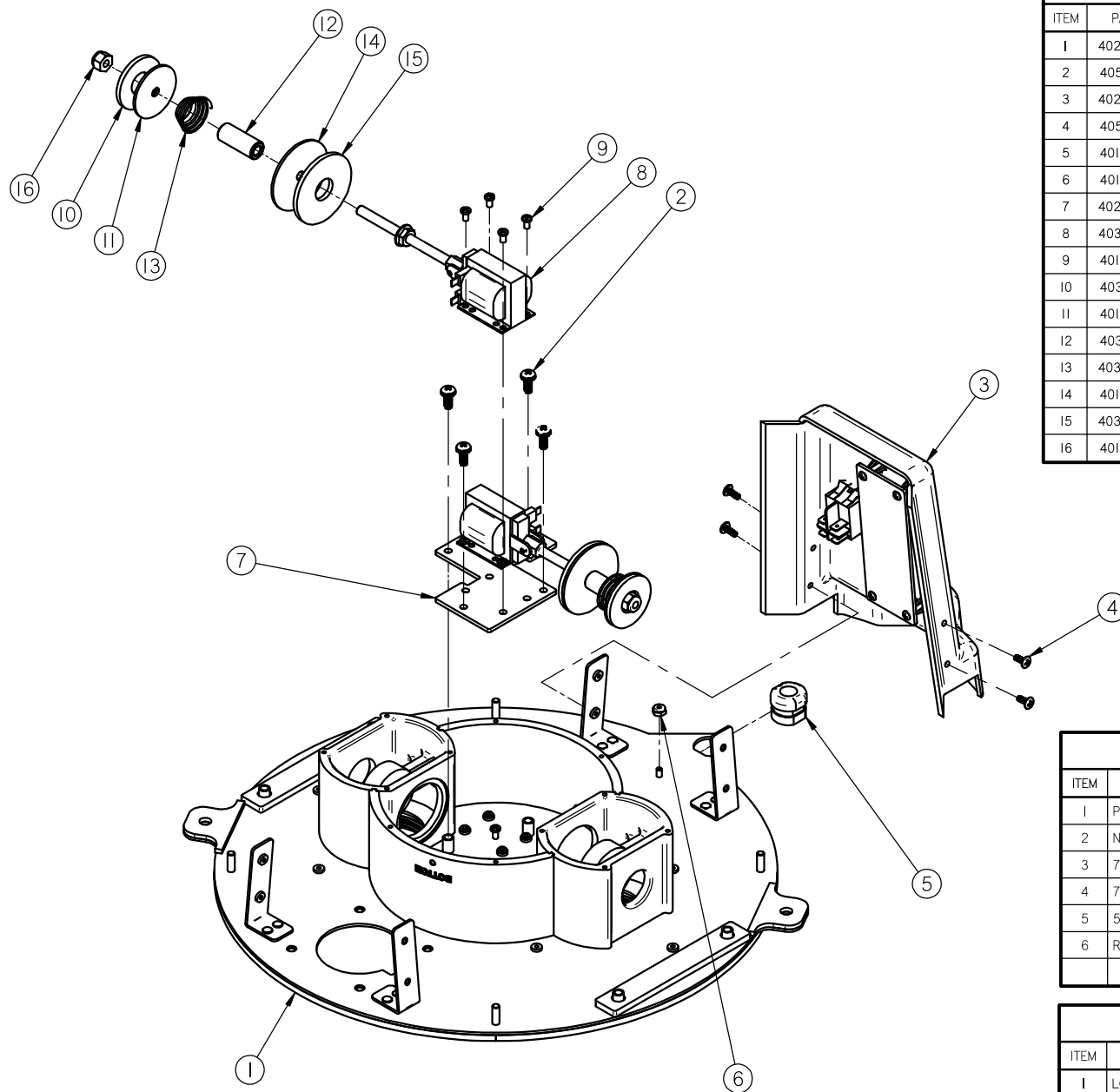


BILL OF MATERIALS				
ITEM	P/N	REV	DESCRIPTION	QTY
1	402589	B	FINAL PRE-ASSEMBLY, PB-550	1
2	402518	B	HANDLE, DRAG, 5/8" TUBING	1

TOOLS REQUIRED	
ITEM	DESCRIPTION

MISC. REQUIRED	
ITEM	DESCRIPTION

2/2 103550 REV -



BILL OF MATERIALS

ITEM	P/N	REV	DESCRIPTION	QTY
1	402535	C	BASE PLASTIC / PLASTIC PRE-ASSEMBLY	1
2	405162		SCREW, #10-32-.50", SEMS	4
3	402545		ELECTRICAL PANEL	1
4	405163		SCREW, #6-32-0.38, TRUSS HEAD, BLK	4
5	401023		BUSHING, STRAIN RELIEF	1
6	401059		NUT, #6-32UNC, NYLOK	1
7	402503	B	Solenoid Plate	1
8	403085		SOLENOID ROD ASSEMBLY	2
9	401060		SCREW, #6-32-1/4"; FILLISTER, PHIL	9
10	403231	C	GASKET, 1.5" OD	2
11	401042	C	WASHER, 1.5" OD	2
12	403201	A	BUSHING SPACER, VALVE ROD 1/2" x 1.25" x .250" ID	2
13	403202	A	SPRING, VALVE INTERNALS	2
14	401043	C	WASHER, 2" OD X 1/4" ID X 1/16"	2
15	403232	C	SEAL, VALVE SEAL PLATE .125THK x 2.000"OD PORON	2
16	401066		NUT, 1/4-20, NYLON LOCK	2

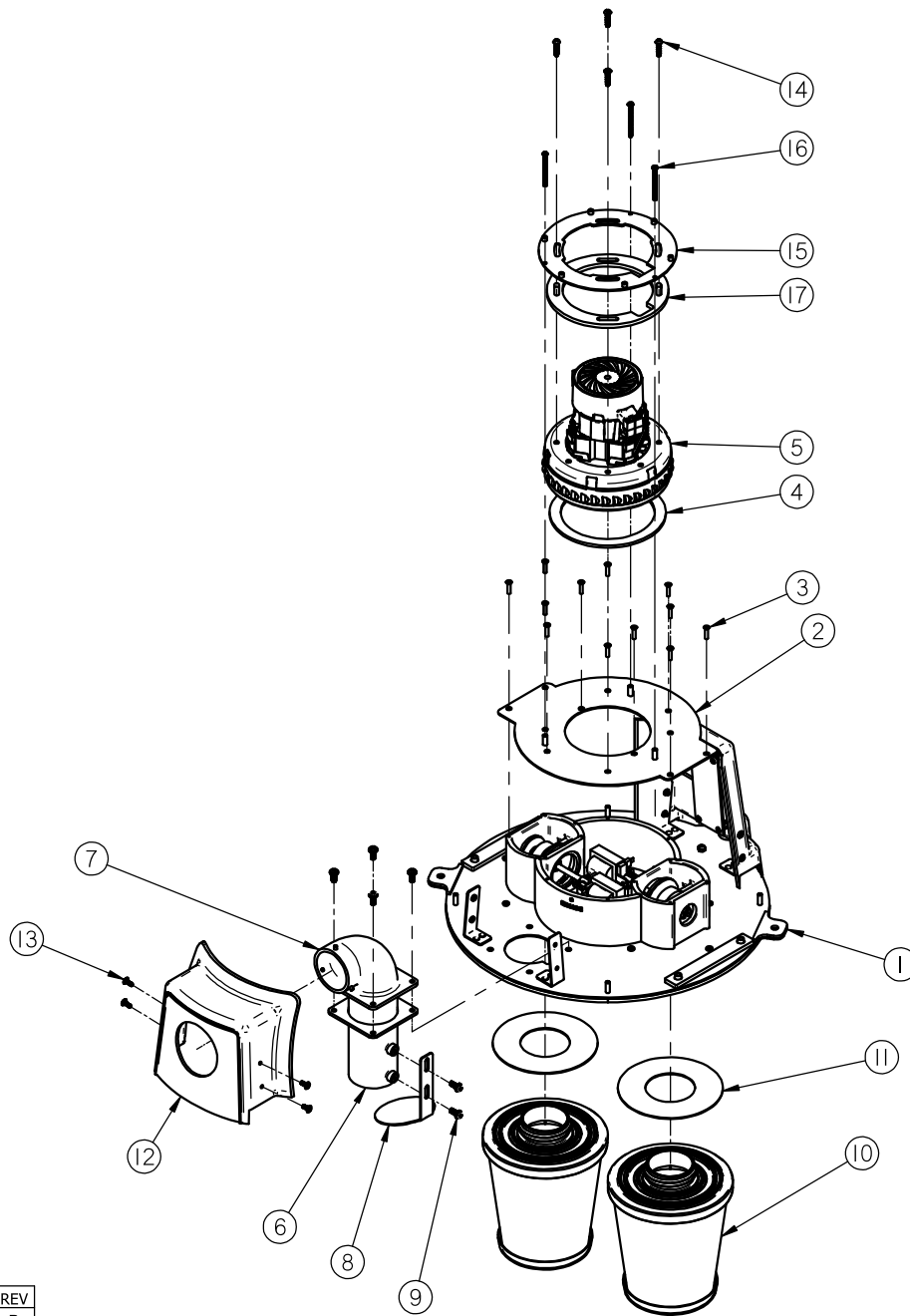
TOOLS REQUIRED

ITEM	DESCRIPTION
1	PHILLIPS HEAD SCREWDRIVER
2	NEEDLENOSE PLIARS
3	7/16" END WRENCH
4	7/16" NUT DRIVER
5	5/16" NUT DRIVER
6	RETAINING RING TOOL

MISC. REQUIRED

ITEM	DESCRIPTION
1	LOC-TITE

2/3 **402528** REV B



BILL OF MATERIALS

ITEM	P/N	REV	DESCRIPTION	QTY
1	402528	B	BASE PLATE / ELECTRICAL ASSEMBLY	1
2	402585	C	PLENUM COVER	1
3	401063		SCREW, #6-5/8, FLT HD	12
4	403230	B	GASKET, MOTOR INLET SEAL	1
5	402565		MOTOR / WIRING ASSEMBLY	1
6	402524	A	INLET, FLANGED, INJECTION MOLD	1
7	402541	B	SEAL, FLANGED INLET	1
8	402515	B	DEFLECTOR PLATE	1
9	405162		SCREW, #10-32-50"; SEMS	6
10	402505		TWIST-ON FILTER, SHORT	2
11	403245		SEAL, FILTER	2
12	402554	A	BEZEL, INLET	1
13	405163		SCREW, #6-32-0.38, TRUSS HEAD, BLK	4
14	405271		SCREW, #10, HiLo	4
15	402573	D	MOTOR MOUNTING BRACKET	1
16	405289		SCREW, #6-32-250"	3
17	402540	F	SEAL, MOTOR	1

MISC. REQUIRED

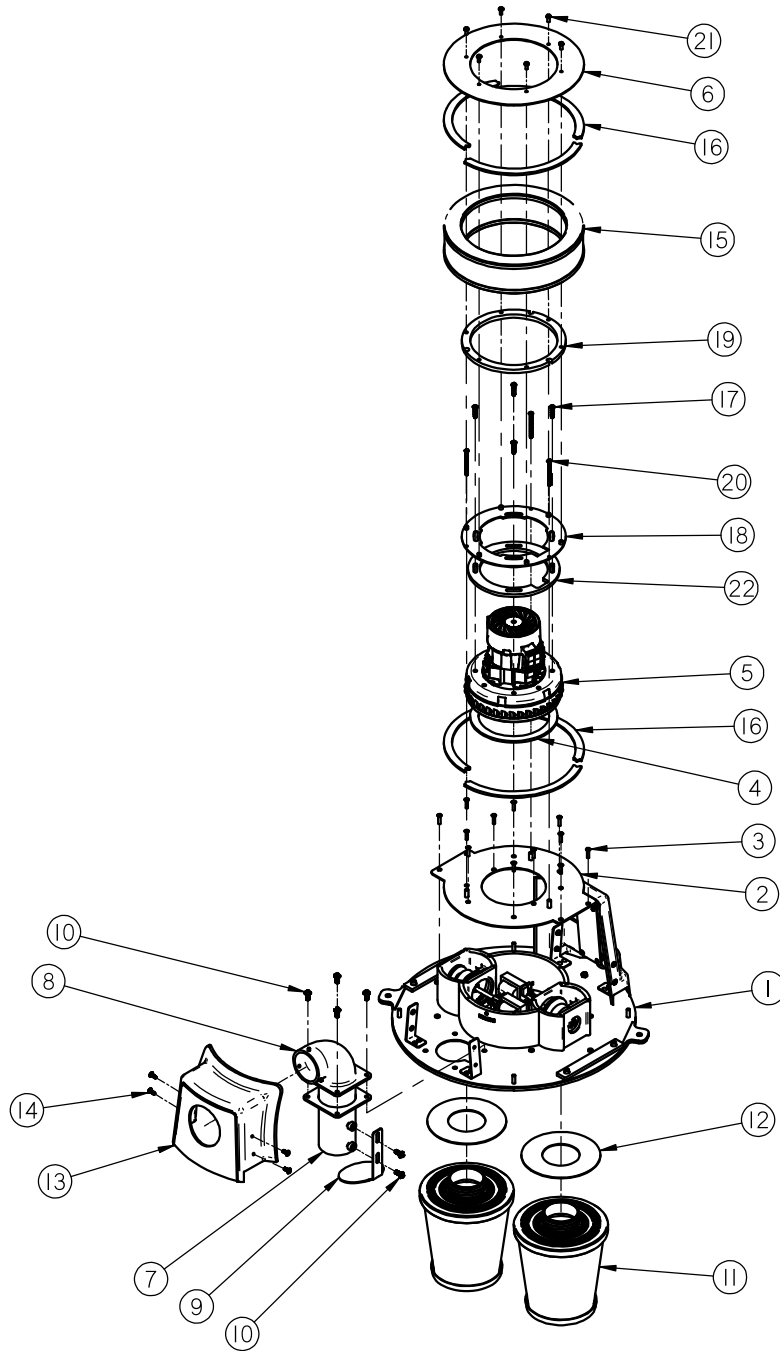
ITEM	DESCRIPTION
1	LOC-TITE

TOOLS REQUIRED

ITEM	DESCRIPTION
1	SCREWDRIVER

2/3 **402529** REV B

CONFIDENTIAL



BILL OF MATERIALS

ITEM	P/N	REV	DESCRIPTION	QTY
1	402528	B	BASE PLATE / ELECTRICAL ASSEMBLY	1
2	402585	C	PLENUM COVER	1
3	401063		SCREW, #6-5/8, FLT HD	12
4	403230	B	GASKET, MOTOR INLET SEAL	1
5	402565		MOTOR / WIRING ASSEMBLY	1
6	403361	E	PLATE, HEPA MOUNTING	1
7	402524	A	INLET, FLANGED, INJECTION MOLD	1
8	402541	B	SEAL, FLANGED INLET	1
9	402515	B	DEFLECTOR PLATE	1
10	405162		SCREW, #10-32-50", SEMS	6
11	402505		TWIST-ON FILTER, SHORT	2
12	403245		SEAL, FILTER	2
13	402554	A	BEZEL, INLET	1
14	405163		SCREW, #6-32-038, TRUSS HEAD, BLK	4
15	402506	F	HEPA FILTER	1
16	402556	A	GASKET, HEPA SEAL	6
17	405271		SCREW, #10, HI Lo	4
18	402573	D	MOTOR MOUNTING BRACKET	1
19	402571	A	SEAL, HEPA / MOTOR MOUNTING PLATE INSIDE	1
20	405289		SCREW, #6-32-2.50"	3
21	401062		SCREW, MACH #6-32UNF x 3/8" SEMS	6
22	402540	F	SEAL, MOTOR	1

MISC. REQUIRED

ITEM	DESCRIPTION
1	LOC-TITE

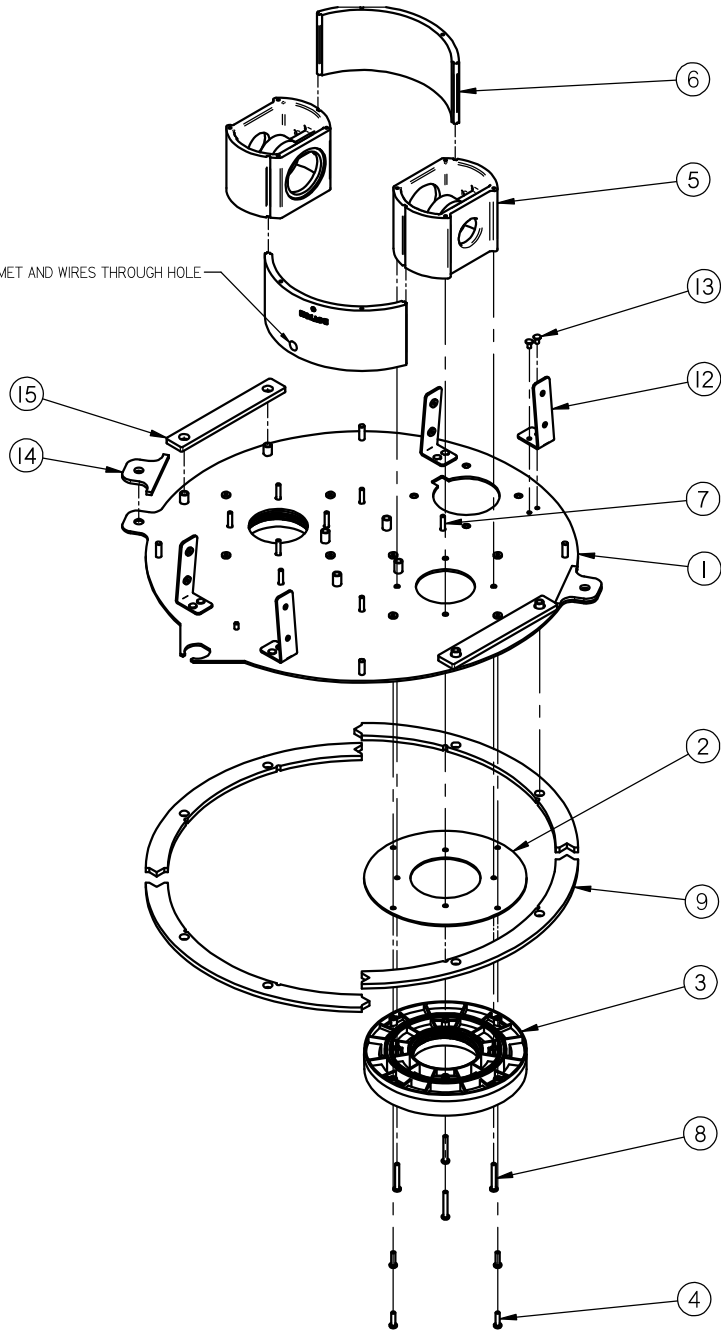
TOOLS REQUIRED

ITEM	DESCRIPTION
1	SCREWDRIVER

2/3 402534 REV F

CONFIDENTIAL

INSTALL GROMMET AND WIRES THROUGH HOLE



BILL OF MATERIALS

ITEM	P/N	REV	DESCRIPTION	QTY
1	402501	H	BASE PLATE PEM ASSM	1
2	403435	B	SEAL RECEIVER	2
3	403234	G	RECIEVER, TWIST-ON FILTER	2
4	401401		SCREW, #6-32-1/2,	8
5	403272	C	VALVE HOUSING INJ. MOLD	2
6	402525	E	PLENUM HALF	2
7	401064		SCREW, #6 X 0.625, HI-LO, PHD	4
8	402402		SCREW, #6, 1.00" LONG, PAN HD, PLASTITE	8
9	402542	A	SEAL, BASE PLATE	4
12	402548		BRACKET, INLET/PCB BEZEL	4
13	401075		RIVET, 1/8", .126" x .187" GP RG x .38"LG	8
14	402568	B	COVER, KNOB / BASEPLATE PB-550	2
15	402557	B	FOAM COVER, BASE PLATE HANDLE	2

TOOLS REQUIRED

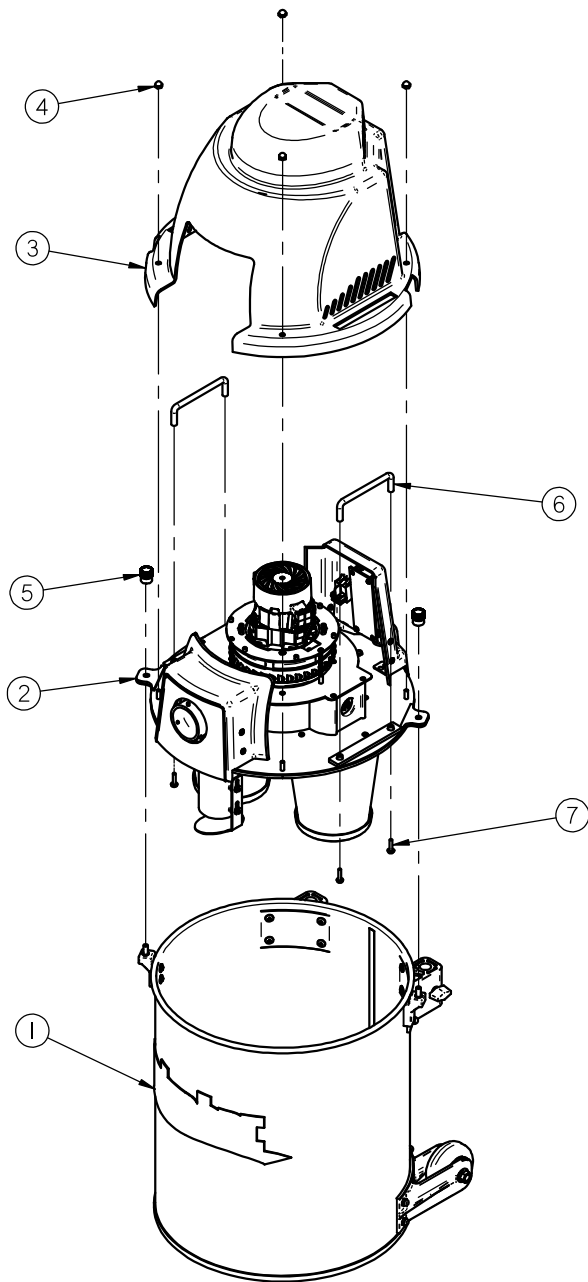
ITEM	DESCRIPTION
1	HAND DRILL WITH 11/32" DRILL BIT
2	CAULKING GUN
3	RIVET GUN WITH 1/8" RIVETS
4	SCREWDRIVER
5	

MISC. REQUIRED

ITEM	DESCRIPTION
1	PVC CEMENT
2	LOC-TITE
3	LUBE
4	
5	

2/3 **402535** REV C

CONFIDENTIAL



BILL OF MATERIALS				
ITEM	P/N	REV	DESCRIPTION	QTY
1	402536	C	TANK ASSEMBLY, PB-550	1
2	402529	B	MOTOR ASSEMBLY, PB-550	1
3	402533	B	TOP COVER, PB-550	1
4	405207		NUT, 10-32, ACORN	4
5	402544	A	FASTENER, 3/8" THREADED	2
6	405417		HANDLE, BASE PLATE,	2
7	405161		SCREW, #8-32-0.75, ZINC PLATED	4

TOOLS REQUIRED	
ITEM	DESCRIPTION
1	3/8" SOCKET

MISC. REQUIRED	
ITEM	DESCRIPTION

2/3 402589 REV B