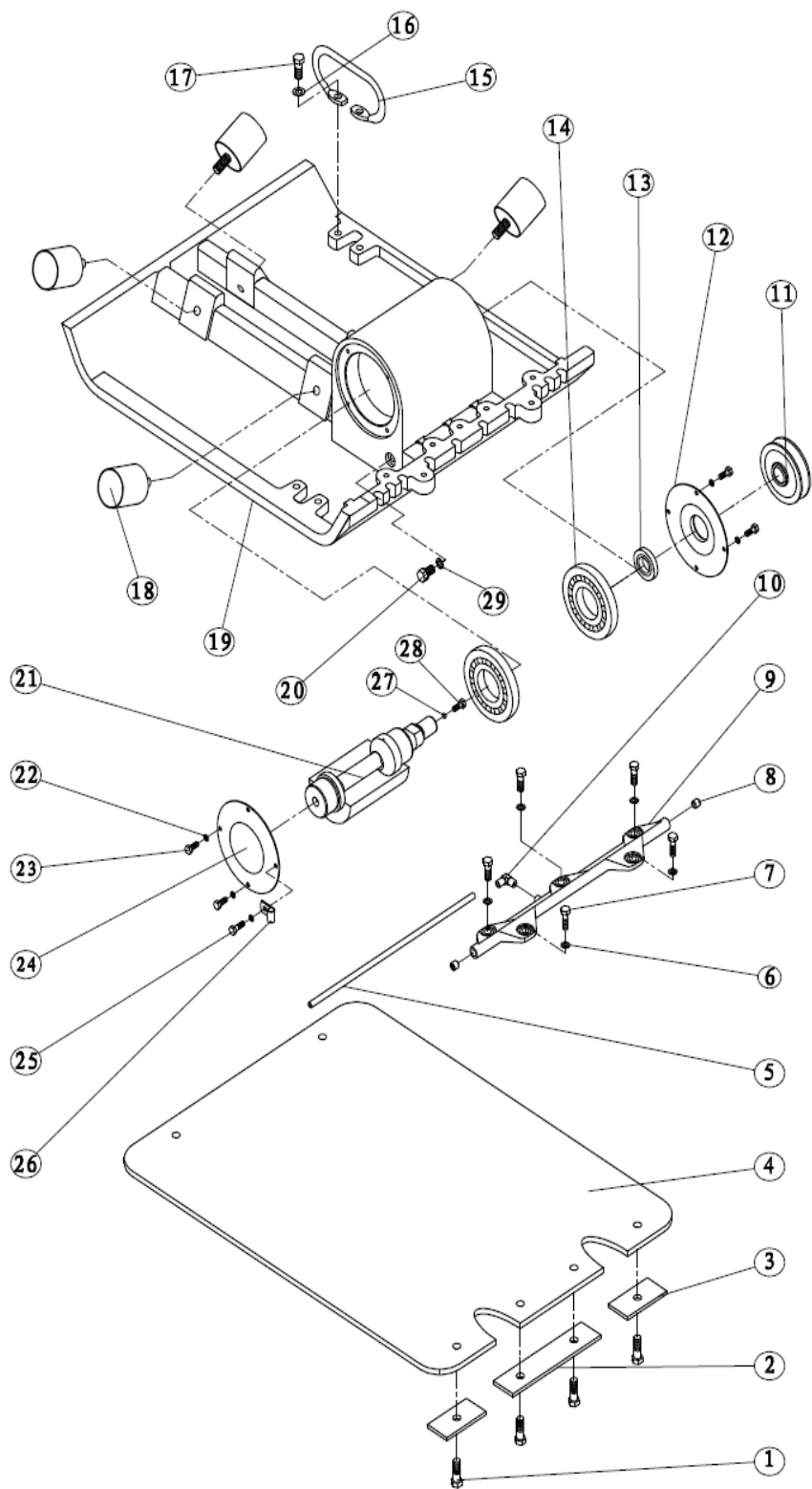


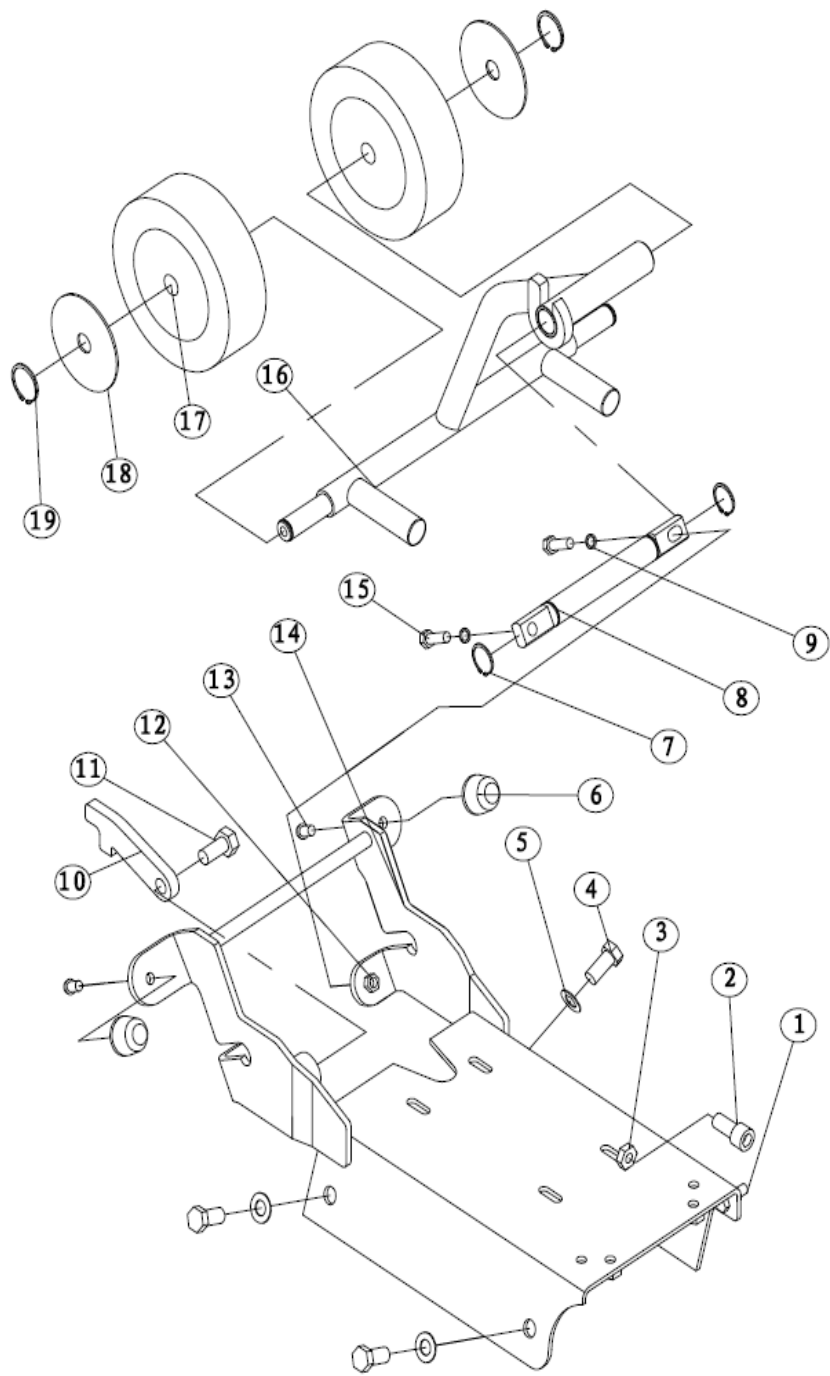
DYNA 60,70,90

CODE	part no.	drawing no.	name	quantity
.dyna-001-60	101	HZR60-17	Eccentric assembly	1
.dyna-001-70	101	HZR70-17	Eccentric assembly	1
.dyna-001-90	101	HZR80-17	Eccentric assembly	1
.dyna-002	102	HZR60-15	Plate assembly	1
.dyna-003	103	HZR60-04	Water Tank	1
.dyna-004	104	GB/T5783-2000	Bolt M8x20	2
.dyna-005	105	GB/T95-1985	Washer 8	2
.dyna-006	106		Gasket 8	1
.dyna-007	107	GB/T6170-2000	Nut M8	1
.dyna-008	108	HZR60-18	Belt guard mount	2
.dyna-009	109		Belt A-33	1
.dyna-010	110	GB/T96-1985	Washer	2
.dyna-011	111	GB/T5783-2000	Bolt M8x40	2
.dyna-012	112	HZR60-12	Belt guard	1
.dyna-013	113	HZR60-14	Clutch drum	1
.dyna-014	114	GB/T5783-2000	Bolt 5/16"x20	4
.dyna-015	115	GB/T95-1985	Washer 8	4
.dyna-016	116	HZR60-05	Lifting Handle	1
.dyna-017	117	GB/T6170-2000	Nut M8	4
.dyna-018	118		Gasket 8	4
.dyna-019	119		Engine GX160	1
.dyna-020	120	HZR60-01	Plate	1
.dyna-021-90	121	HZR80-20	Wheel	1
.dyna-021-60/70/90	121	HZR60-20	Wheel	1
.dyna-022	122	HZR60-08	Guide Handle	1
.dyna-023	123	HZR60-03	Block rubber	2
.dyna-024	124		Gasket M12	2
.dyna-025	125	GB/T6170-2000	Nut M12	2
.dyna-026	126	HZR60-02	Oil drain	1
.dyna-027	127	GB/T95-1985	Washer 8	4
.dyna-028	128	GB/T5783-2000	Bolt M8x55	4
.dyna-031	131	HZR60-08-05	Throttle cable	1
.dyna-032	132		Throttle switch	1
.dyna-033	133	HZR60-10	Belt enclosure cover	1



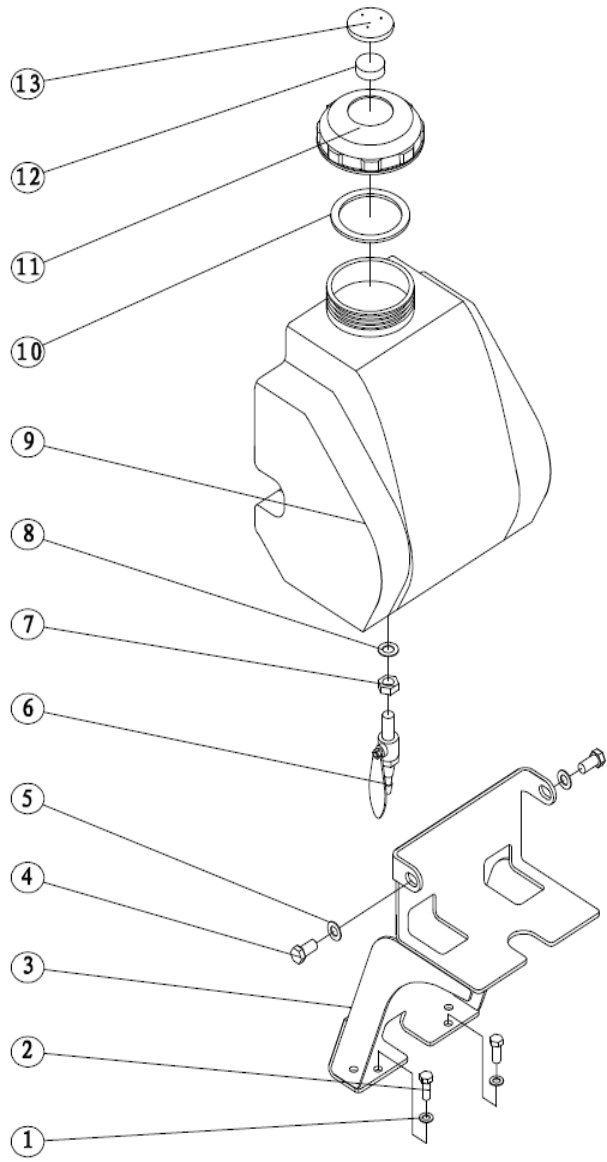
### Eccentric assembly

CODE	part no.	drawing no.	name	quantity
.dyna-EA-001	10101	GB/T5783-2000	Bolt M10×30	4
.dyna-EA-002-60	10102	HZR60-20-02	Shock mount plate	1
.dyna-EA-002-70/90	10102	HZR70-21-03	Shock mount plate II	1
.dyna-EA-003-70/90	10103	HZR70-21-02	Shock mount plate I	2
.dyna-EA-004-60	10104	HZR60-20-01	Mount	1
.dyna-EA-004-70	10104	HZR70-21-01	Mount	1
.dyna-EA-005	10105	HZR60-19-04	Rubber Hose	1
.dyna-EA-006	10106	GB/T95-1985	Washer 8	5
.dyna-EA-007	10107	GB/T5783-2000	Bolt M8×20	5
.dyna-EA-008	10108	GB/T77-2000	Screw M10×10	2
.dyna-EA-009-60/70	10109	HZR60-19-02	Waterspout	1
.dyna-EA-009-90	10109	HZR80-19-02	Waterspout	1
.dyna-EA-010	10110	HZR60-19-03	Clamp	1
.dyna-EA-011	10111	HZR60-17-01	Pulley	1
.dyna-EA-012-60	10112	HZR60-17-03	End cap	1
.dyna-EA-012-70/90	10112	HZR60-17-03	End cap	1
.dyna-EA-013	10113	GB/T3871-1992	Seal FB30×42×7	1
.dyna-EA-014-60	10114	GB/T276-1994	Bearing 6307C3	2
.dyna-EA-014-70/90	10114	GB/T276-1994	Bearing 6309C(1.3t)	2
.dyna-EA-015	10115	HZR60-06	Lifting handle	2
.dyna-EA-016	10116	GB/T95-1985	Washer 10	4
.dyna-EA-017	10117	GB/T5783-2000	Bolt M10×20	4
.dyna-EA-018-60/70	10118	HZR60-07	Damp block	4
.dyna-EA-018-90	10118	HZR80-07	Damp block	4
.dyna-EA-019-60	10119	HZR60-09	Base plate	1
.dyna-EA-019-70	10120	HZR70-09	Base plate	1
.dyna-EA-019-90	10121	HZR80-09	Base plate	1
.dyna-EA-020	10120	GB/70.1-2000	Plug screw M10×1×16	1
.dyna-EA-021-60	10121	HZR60-17-02	Shaft	1
.dyna-EA-021-70	10121	HZR70-17-02	Shaft	1
.dyna-EA-021-90	10122	HZR80-17-02B	Shaft	1
.dyna-EA-022	10122	GB/T93-1987	Gasket 6	8
.dyna-EA-023	10123	GB/T5783-2000	Bolt M6×16	7
.dyna-EA-024-60/70	10124	HZR60-17-04	Cap	1
.dyna-EA-024-90	10124	HZR80-17-04	Cap	1
.dyna-EA-025	10125	GB/T5783-2000	Bolt M6×20	1
.dyna-EA-026	10126	HZR60-19-01	Clamp	1
.dyna-EA-027	10127		Sponge	1
.dyna-EA-028	10128	HZR60-17-05	Breathable bolt	1
.dyna-EA-029	10129	GB/T95-1987	Washer 10 (Cu)	1



**Plate assembly**

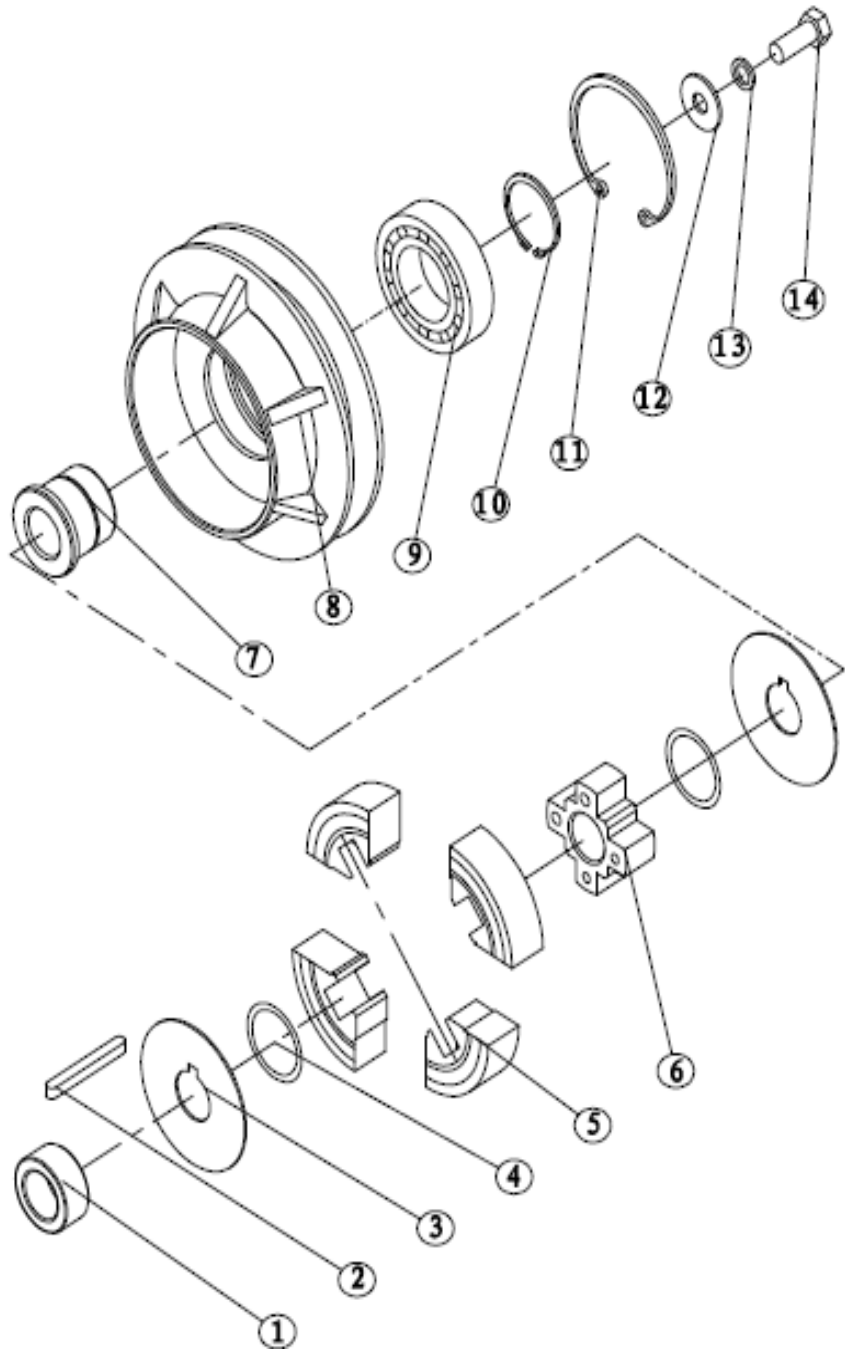
<b>CODE</b>	<b>part no.</b>	<b>drawing no.</b>	<b>name</b>	<b>quantity</b>
.dyna-PA-001	10201	GB/T5783-2000	Bolt M8×25	
.dyna-PA-002	10202	GB/T70.1-2000	Screw M12×25	
.dyna-PA-003	10203	GB/T6170-2000	Nut M12	
.dyna-PA-004	10204	GB/T5783-2000	Bolt M12×25	
.dyna-PA-005	10205		Gasket 12	
.dyna-PA-006-60/70	10206	HZR60-15-01	Shock mount	
.dyna-PA-006-90	10206	HZR80-15-01	Shock mount	
.dyna-PA-007	10207	GB/T894.1-1986	Retaining ring 20	
.dyna-PA-008-60/70	10208	HZR60-20-01-02	Shaft	
.dyna-PA-008-90	10208	HZR80-20-01-02	Shaft	
.dyna-PA-009	10209	GB/T93-1987	Gasket 8	
.dyna-PA-010-60/70	10210	HZR60-20-03	Detent	
.dyna-PA-010-90	10210	HZR80-20-02	Detent	
.dyna-PA-011	10211	GB/T5783-2000	Bolt M12×25	
.dyna-PA-012	10212	GB/T6170-2000	Nut M8	
.dyna-PA-013	10213	GB/T70.2-2000	Screw M8×20	
.dyna-PA-014-60/70	10214	HZR60-15-05	Plate	
.dyna-PA-014-90	10214	HZR80-15-05	Plate	
.dyna-PA-015	10215	GB/T5783-2000	Bolt M8×25	
.dyna-PA-016-60/70	10216	HZR60-20-01	Wheel Frame	
.dyna-PA-016-90	10216	HZR80-20-01	Wheel Frame	
.dyna-PA-017-60/70	10217	NHQ450A-01-04	Wheel	
.dyna-PA-017-90	10217	BFS100-01-04	Wheel	
.dyna-PA-018	10218	GB/T96-1985	Washer 16	
.dyna-PA-019	10219	GB/T894.1-1986	Retaining ring 17	
.dyna-PA-020	10220	HZR60-15-06	Shock mount	



### Water Tank

<b>CODE</b>	<b>part no.</b>	<b>drawing no.</b>	<b>name</b>	<b>quantity</b>
.dyna-WT-001	10301		Gasket 8	4
.dyna-WT-002	10302	GB/T5783-2000	Bolt M8×20	4
.dyna-WT-003	10303	HZR60-16	Bracket	1
.dyna-WT-004	10304	GB/T5783-2000	Bolt M10×20	2
.dyna-WT-005	10305	GB/T95-1985	Washer 10	2
.dyna-WT-006	10306	HZR60-04-03	Shutoff valve	1
.dyna-WT-007	10307		Nut M12	1
.dyna-WT-008	10308	GB/T96-1986	Washer 12	1
.dyna-WT-009	10309	HZR60-04-02	Water Tank	1
.dyna-WT-010	10310	HZR60-04-01-02	Seal	1
.dyna-WT-011	10311	HZR60-04-01-01	Cap-water tank	1
.dyna-WT-012	10312	HZR60-04-01-04	Sponge	1
.dyna-WT-013	10313	HZR60-04-01-03	Cover tank	1





**Clutch drum**

<b>CODE</b>	<b>part no.</b>	<b>drawing no.</b>	<b>name</b>	<b>quantity</b>
.dyna-CD-001	11301	HZR60-14-05	Spacer	1
.dyna-CD-002	11302	GB/T1095-1979	Key 4.78×4.78×44	1
.dyna-CD-003	11303	HZR60-14-02	Lock Washer	2
.dyna-CD-004	11304	TRE80-16-04	Spring	2
.dyna-CD-005	11305	TRE80-16-05	Shoe-clutch	4
.dyna-CD-006	11306	HZR60-14-03	Center Block	1
.dyna-CD-007	11307	HZR60-14-01	Cover	1
.dyna-CD-008	11308	HZR60-14-04	Clutch drum	1
.dyna-CD-009	11309	GB/T276-1994	Bearing 6006-2RS	1
.dyna-CD-010	11310	GB/T894.1-1986	Retaining Ring 30	1
.dyna-CD-011	11311	GB/T893.1-1986	Retaining Ring 55	1
.dyna-CD-012	11312	GB/T96-1985	Washer 8	1
.dyna-CD-013	11313	GB/T93-1987	Gasket 8	1
.dyna-CD-014	11314		Bolt 5/16"×20	1